

## AVK DOUBLE ORIFICE AIR RELIEF VALVE PN16

851/25  
001

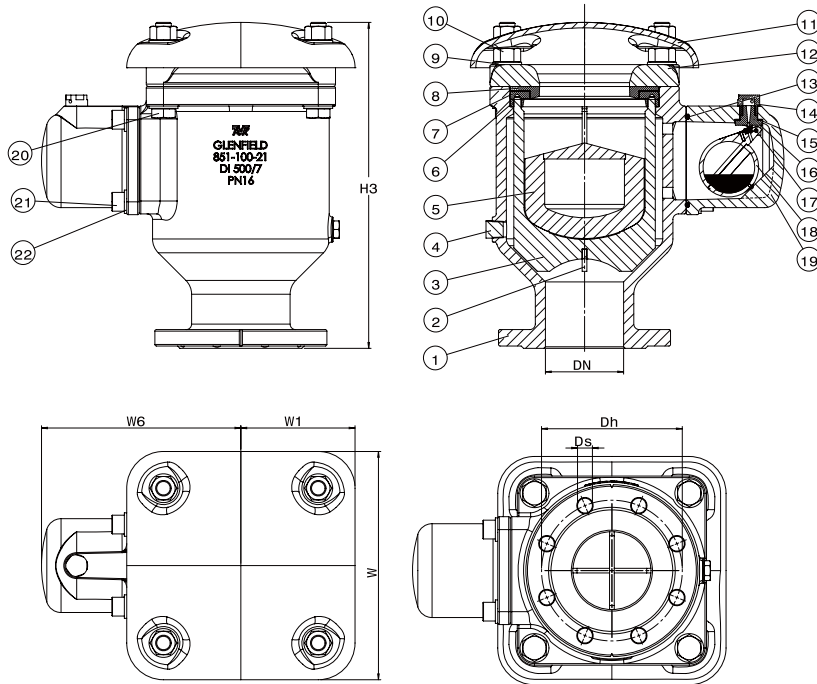
Air Valve, designed according to EN1074 - 4, Flange drilling according to BS10 Table E

### Materials:

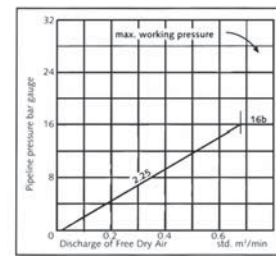
Body, bonnet, cowl, side chamber	Ductile Iron EN 1563 EN-GJS-500/7
Guide bottom, guide top, guide ring	Stainless steel no 1.4401
Seal ring, seat ring	GP-22 natural ABS
Large and small orifice	GP-22 natural ABS
Orifice bracket/cover	Gunmetal CC491K
O-ring	EPDM
Grooved pin	Stainless steel no 1.4401
Gasket	EPDM WRAS
Bolts, nuts, washers	Stainless steel A4
Coating	Internal and external blue fusion bonded coating (300 microns) WRAS



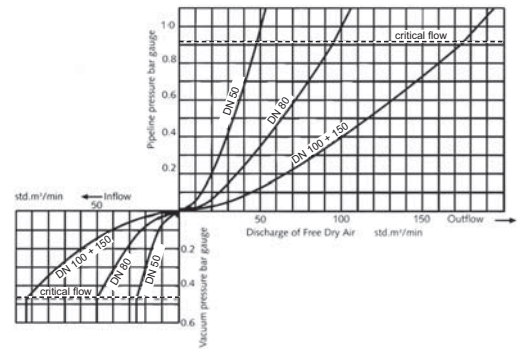
For further details see section "Technical Information".  
The designs, materials and specifications shown are subject to change without notice due to the continuous development of our product programme.



Air discharge - Small orifice valves



Air discharge - Large orifice valves



## Component list

1. Body	12. Bonnet
2. Guide bottom	13. O-ring
3. Guide top	14. Orifice cover
4. Plug	15. Gasket
5. Large orifice	16. Orifice bracket
6. Guide ring	17. Grooved pin
7. Seal ring	18. Small orifice
8. Seat ring	19. Side chamber
9. Washer	20. Hex bolt
10. Nut	21. Socket head bolt
11. Cowl	22. Washer

Pipeline Diametre (mm)	Air Valve (DN)
Up to 400	50
450 - 600	80
700 - 900	100

General Valve Sizing Guide

## Reference nos. and dimensions

AVK ref. nos.	DN mm	Prod. PN	H3 mm	W mm	W1 mm	W6 mm	Dh mm	Ds mm	Num. of bolts	Theoretical weight kg
851-050-25-622000	50	16	266	162	81	210	114	18	4	21
851-080-25-622000	80	16	345	222	111	236	146	18	4	32
851-100-25-622000	100	16	417	292	146	255	178	18	8	52
851-150-25-622000	150	16	417	292	146	255	235	22	8	73