

Glenfield

Water engineers to the world

Series 851/20 (1260) PN16 Single Large Orifice Air Relief Valve

Use	
For portable water to max. 70°C	

Tests	
Hydraulic tests:	
Seat: 1.1 x PN	Body: 1.5 x PN

Optional Extras	
Isolating valve	Piped outlet connections
Alternative materials	Inflow check valve

Applicable Standards
Threaded inlet 1" BSP TR female

Materials of Construction	
Description	Material
Body	Ductile Iron BS EN 1563 EN-GJS 500/7
Cover	Ductile Iron BS EN 1563 EN-GJS 500/7
Cowl	Ductile Iron BS EN 1563 EN-GJS 500/7
Float (Large orifice)	Plastic ABS
Float Guides	Plastic ABS
Seal Support Ring	Plastic ABS
Seals	EPDM WBS Listed
Fasteners	Stainless Steel 316 Grade A4
Coating	Internal and external with 2 pack epoxy blue to WIS 4.52.01 DFT 300 microns



Glenfield Valves Ltd, Glenfield Works, Queens Drive, Kilmarnock, Scotland, KA1 3XF
 Tel: +44 (0) 1563 521150 Fax: +44 (0) 1563 545616 www.glenfield.co.uk

A member of the **AVR** group of companies



SPECIFICATIONS

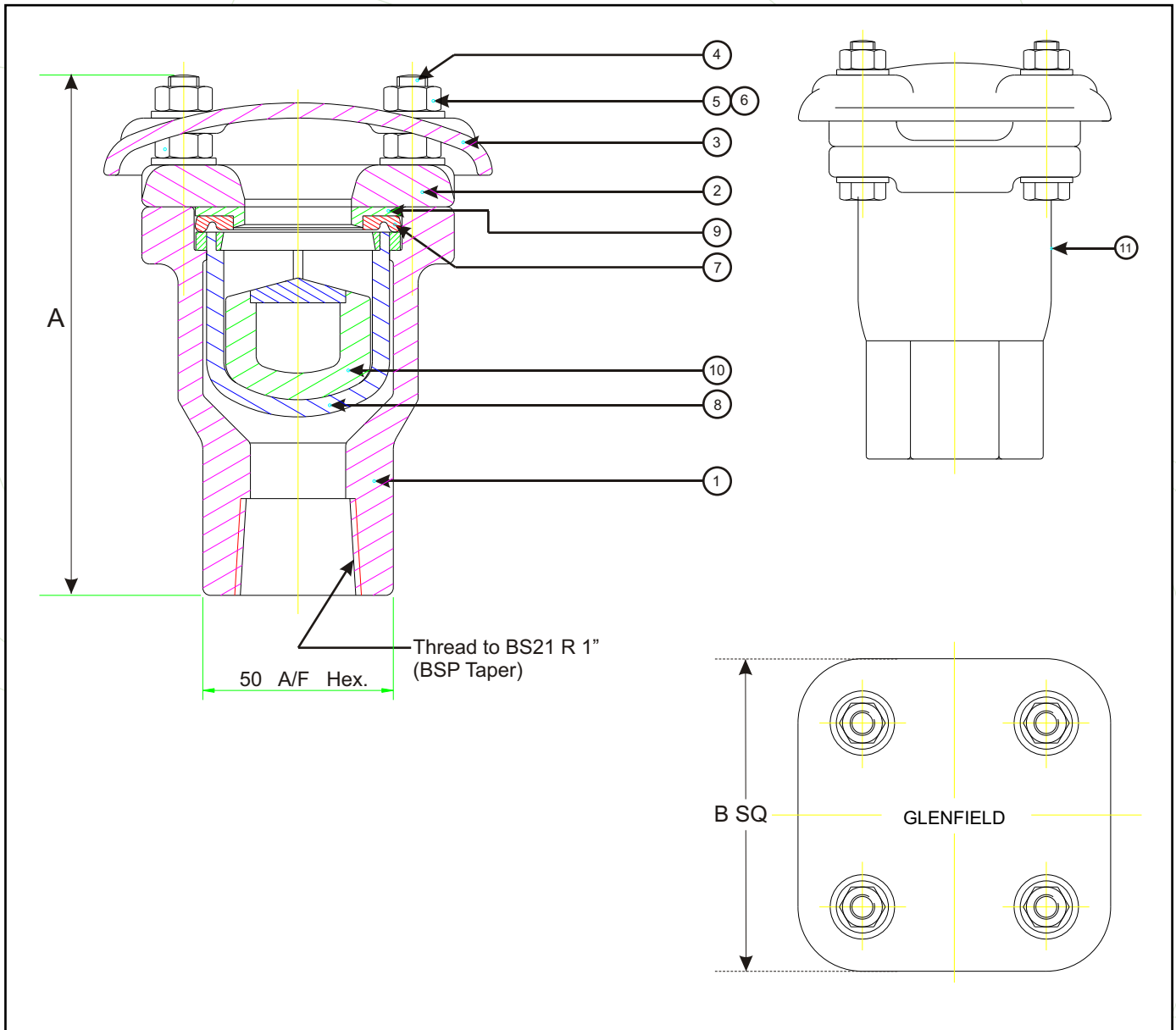
Series 851/20 (1260) PN16 Single Large Orifice Air Relief Valve

Component List

- 1. Body
- 2. Cover
- 3. Cowl
- 4. Screw Hex. Head

- 5. Nut Hex.
- 6. Washer
- 7. Seal Ring
- 8. Float Guide

- 9. Seat Ring
- 10. Float Assembly
- 11. Identification Label



Dimensions (mm)

Ref. Nos.	Inlet	A	B	Approx Weight (kg)
851 025 20822000	25	170	102	2.4